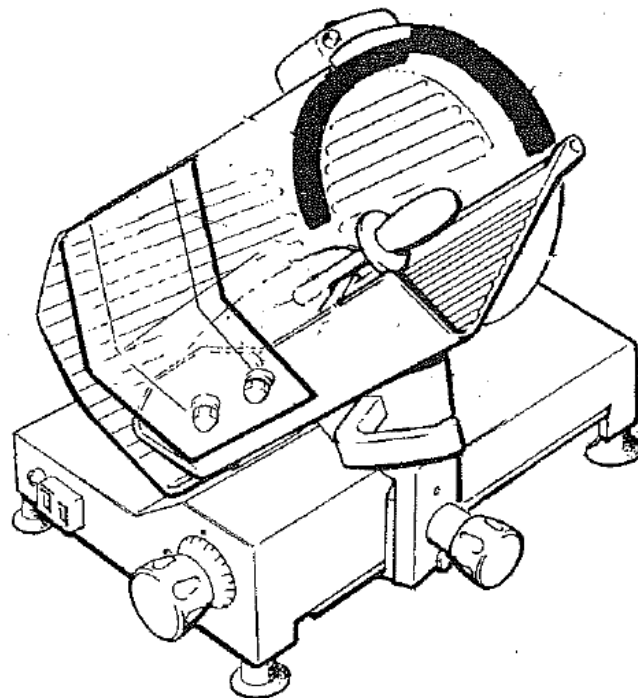
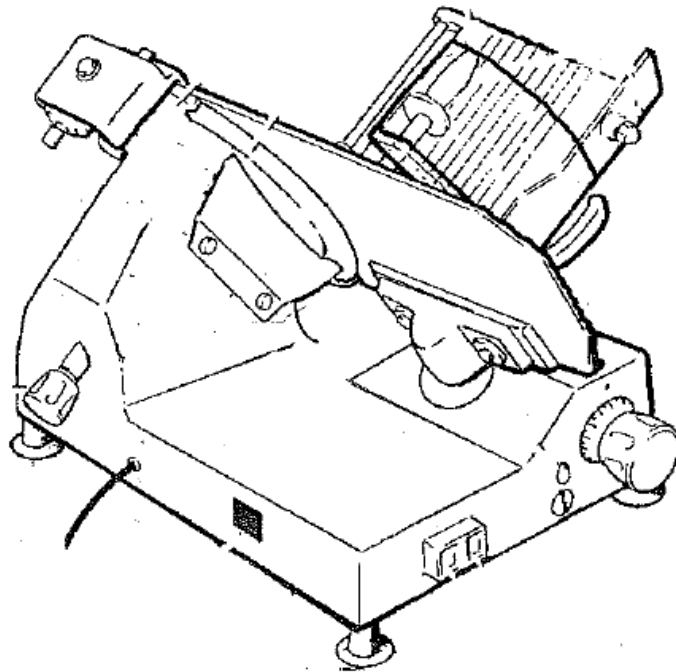


# SERVICE MANUAL

## RF-M221 / RF-M251 / RF-M301



# INDEX

## 1. RF-M221

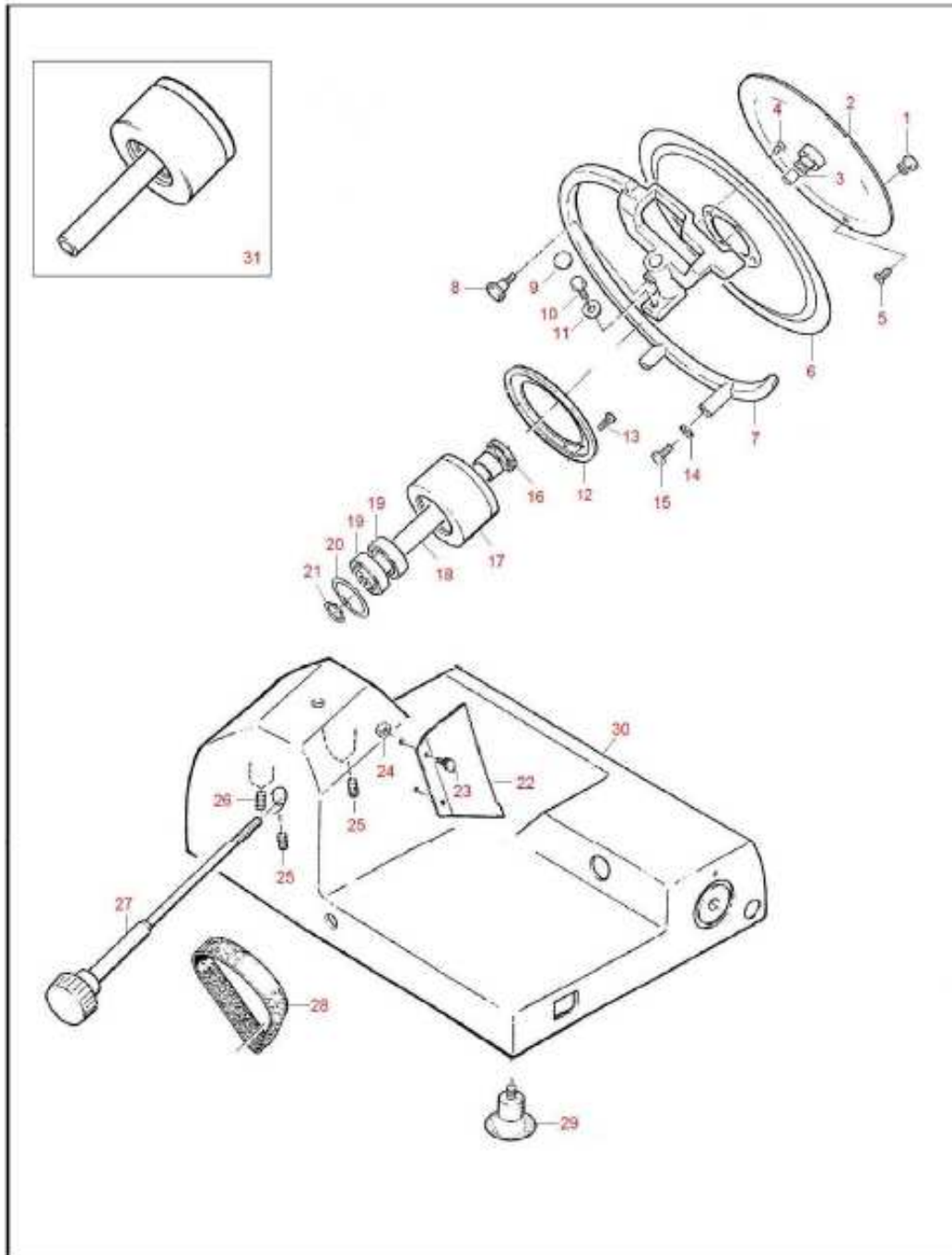
- Base - Trasmission - Blade / Cassa - Trasmissione - Lama..... 3
- Meat table – Carriage / Piatto – Carrello..... 5
- Thickness Adjusting / Regolazione Spessore..... 7
- Sharpener / Affilatoio.....9
- Electrical Components / Componenti elettriche.....11

## 2. RF-M251

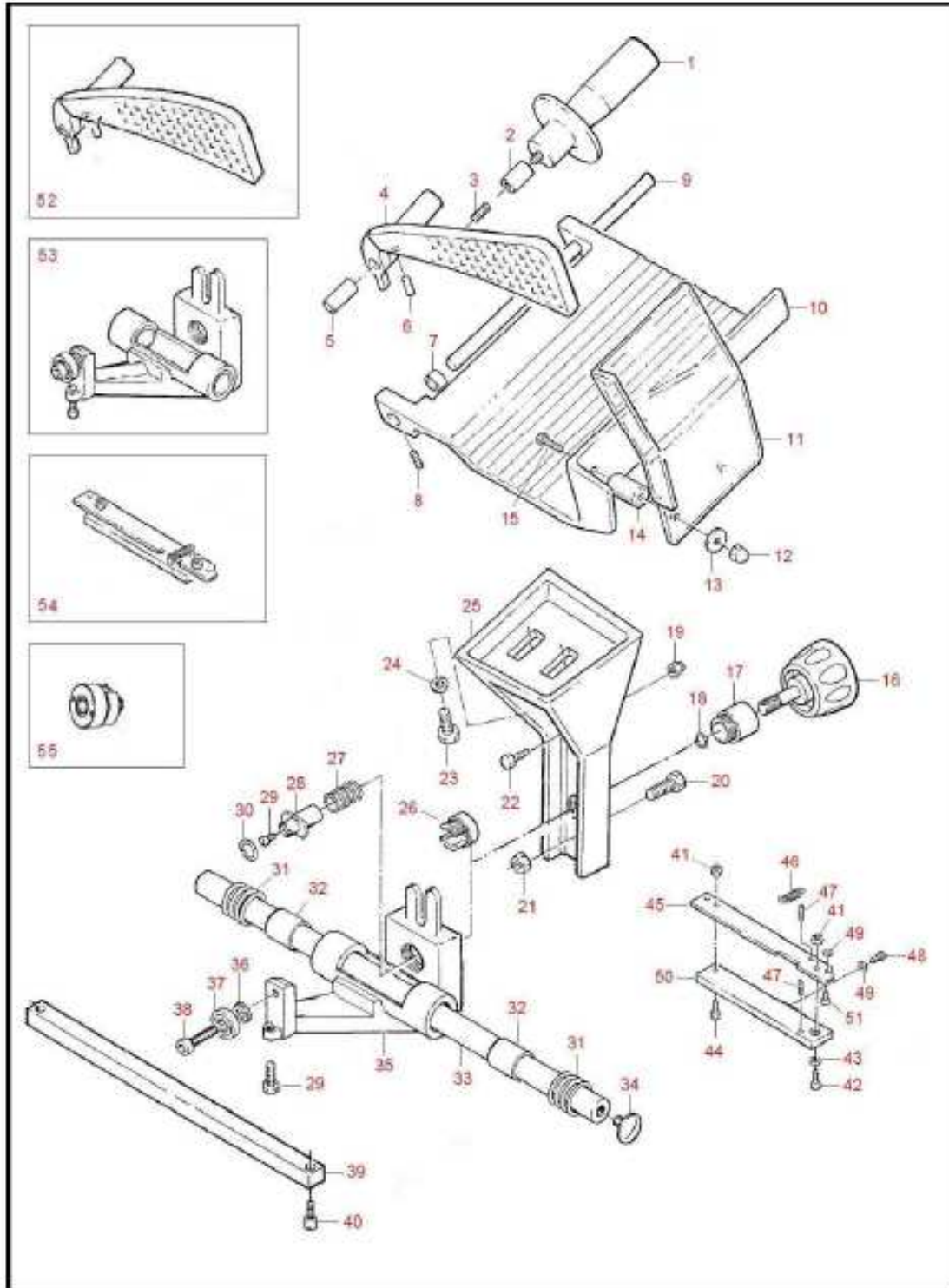
- Base - Trasmission - Blade / Cassa - Trasmissione - Lama.....13
- Meat table – Carriage / Piatto – Carrello.....15
- Thickness Adjusting / Regolazione Spessore..... 17
- Sharpener / Affilatoio.....19
- Electrical Components / Componenti elettriche.....21

## 3. RF-M301

- Base - Trasmission - Blade / Cassa - Trasmissione - Lama.....23
- Meat table – Carriage / Piatto – Carrello.....25
- Thickness Adjusting / Regolazione Spessore.....27
- Sharpener / Affilatoio.....29
- Electrical Components / Componenti elettriche.....31

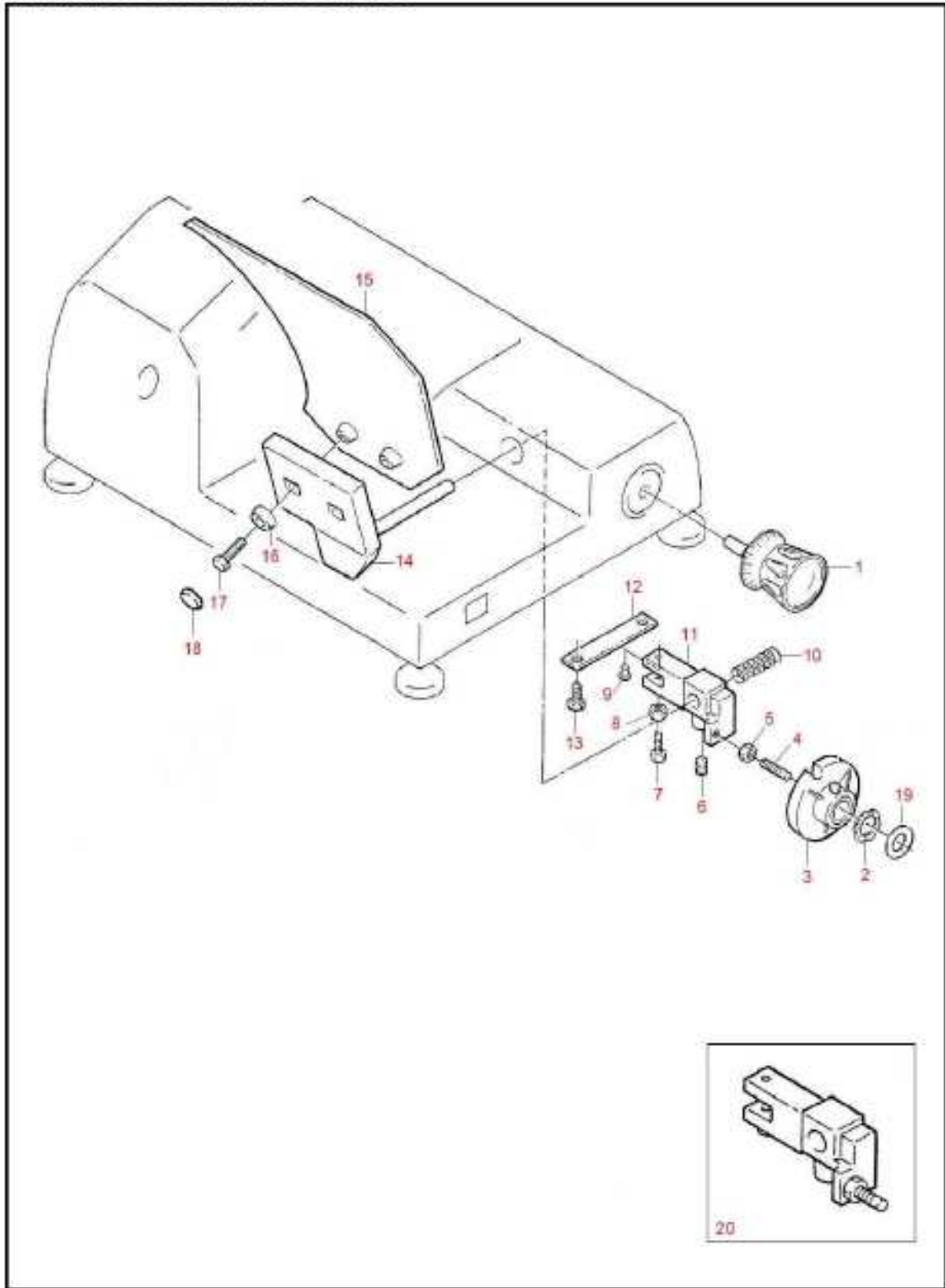
***RF-M221 – Tab.1******Affettatrice a gravità***  
***Staight feed slicer*****CASSA-TRASMISSIONE-LAMA**  
**BASE-TRANSMISSION-BLADE**

<b>Ref.</b>	<b>Code No.</b>	<b>Descrizione</b>	<b>Description</b>	<b>Q.tà</b>
1 - tab. 1	<b>30500195</b>	Pulsante paralama	Aluminium cover knob	1
2 - tab. 1	<b>221A00002</b>	Disco paralama 220mm	Blade cover 220mm.	1
3 - tab. 1	<b>9001001</b>	Inserito paralama	Cover insert	1
4 - tab. 1	<b>6109 5 12/A2</b>	Vite	Screw	3
5 - tab. 1	<b>6109 5 10</b>	Vite	Screw	1
6 - tab. 1	<b>22100073SK</b>	Lama 220mm	Knife 220mm.	1
7 - tab. 1	<b>221A00257G</b>	Anello paralama	Blade guard ring	1
8 - tab. 1	<b>221CE103A</b>	Manopola affilatoio rossa	Red Knob	1
9 - tab. 1	<b>255CE005</b>	Tappo in plastica	Plastic tap	1
10 - tab. 1	<b>5739 6 20/A2</b>	Vite	Screw	1
11 - tab. 1	<b>255CE006</b>	Rondella	Alluminium washer	1
12 - tab. 1	<b>22100160</b>	Anello flangia	Plastic ring	1
13 - tab. 1	<b>6954 3 6</b>	Vite	Screw	2
14 - tab. 1	<b>6593 5 15</b>	Rondella	Washer	2
15 - tab. 1	<b>5739 5 10</b>	Vite	Screw	2
16 - tab. 1	<b>1001001</b>	Corteco	Rubber ring	1
17 - tab. 1	<b>221CE067</b>	Puleggia	Pulley	1
18 - tab. 1	<b>22100068</b>	Perno puleggia	Pulley shaft	1
19 - tab. 1	<b>3001001</b>	Cuscinetto 6202 2RS	Bearing 6202 2RS	2
20 - tab. 1	<b>743735</b>	Seeger	Circlip	1
21 - tab. 1	<b>743515</b>	Seeger	Circlip	1
22 - tab. 1	<b>221A00011</b>	Parafetta inox	Deflector	1
23 - tab. 1	<b>351A00091</b>	Vite per parafetta	Screw for deflector	2
24 - tab. 1	<b>5589 6</b>	Dado	Nut	2
25 - tab. 1	<b>5923 6 12</b>	Grano	Grub screw	2
26 - tab. 1	<b>5923 6 8</b>	Grano	Grub screw	1
27 - tab. 1	<b>221CE501A</b>	Tirante paralama rosso	Red Tie rod assembly	1
28 - tab. 1	<b>3005002</b>	Cinghia 330x8	Belt 330x8	1
29 - tab. 1	<b>251ACE093</b>	Piedino	Rubber foot	4
30 - tab. 1	<b>221A00001</b>	Cassa	Casing	1
31 - tab. 1	<b>221A00502</b>	Puleggia assemblata	Pulley assembly	

**RF-M221 – Tab.2****Affettatrice a gravità  
Straight feed slicer****PIATTO-CARRELLO  
MEAT TABLE ASSEMBLY**

<i>Ref.</i>	<i>Code No.</i>	<i>Descrizione</i>	<i>Description</i>	<i>N°</i>
1 -Tab.2	<b>221CE080A</b>	Manopola pressamerce rossa	Red Pusher handle CE	1
2 -Tab.2	<b>221CE207</b>	Distanziale pressamerce	Spacer for meat pusher	1
3 -Tab.2	<b>5923 6 16</b>	Grano	Grub screw	1
4 -Tab.2	<b>22100009</b>	Pressamerce	Meat pusher	1
5 -Tab.2	<b>25100079</b>	Bussola	Bushing	1
6 -Tab.2	<b>22100082</b>	Nottolino	Retainer	1
7 -Tab.2	<b>18002001</b>	Distanziale	Spacer	0.01
8 -Tab.2	<b>5923 5 6</b>	Grano	Grub screw	1
9 -Tab.2	<b>22100084</b>	Asta piatto	Rod	1
10 -Tab.2	<b>221ACE008</b>	Piatto CE	Meat table	1
11 -Tab.2	<b>251CE094</b>	Protezione plexi	Plexi guard	1
12 -Tab.2	<b>5721 6/A2</b>	Dado	Nut	2
13 -Tab.2	<b>22100006</b>	Rondella alluminio	Aluminium washer	2
14 -Tab.2	<b>301CE133</b>	Distanziale rosso	Red Spacer	2
15 -Tab.2	<b>354CE132</b>	Vite inox	Stainless steel screw	2
16 -Tab.2	<b>302CE040A</b>	Manopola piatto rossa	Red carriage knob	1
17 -Tab.2	<b>302CE290</b>	Bussola alluminio	Aluminium bushing	1
18 -Tab.2	<b>743510</b>	Seeger	Circlip	1
19 -Tab.2	<b>5721 8</b>	Dado	Nut	1
20 -Tab.2	<b>603 8 30/A2</b>	Vite	Screw	1
21 -Tab.2	<b>5588 8</b>	Dado	Nut	1
22 -Tab.2	<b>5739 8 30</b>	Vite	Screw	1
23 -Tab.2	<b>5739 5 20</b>	Vite	Screw	2
24 -Tab.2	<b>6592 6 24</b>	Rondella	Washer	2
25 -Tab.2	<b>221ACE007</b>	Supporto piatto CE	Meat table support 'CE'	1
26 -Tab.2	<b>221CE268</b>	Bussola	Aluminium Bushing D.35	1
27 -Tab.2	<b>221CE269</b>	Molla	Spring	1
28 -Tab.2	<b>221CE270</b>	Bussola	Bushing D.29	1
29 -Tab.2	<b>6107 6 10/N</b>	Vite nylon	Nylon screw	2
30 -Tab.2	<b>743722</b>	Seeger	Circlip	1
31 -Tab.2	<b>22100020</b>	Molla carrello	Spring	2
32 -Tab.2	<b>2001005</b>	Bussola	Bushing	2
33 -Tab.2	<b>22100013</b>	Barra tonda	Round bar	1
34 -Tab.2	<b>22100050</b>	Vite	Screw	2
35 -Tab.2	<b>221CE012</b>	Carrello CE	Carriage CE	1
36 -Tab.2	<b>22100017</b>	Rondella	Washer	1
37 -Tab.2	<b>3001011</b>	Cuscinetto 626 2RS R11	Bearing	1
38 -Tab.2	<b>5931 6 25</b>	Vite	Screw	1
39 -Tab.2	<b>22100014</b>	Barra quadra	Square bar	1
40 -Tab.2	<b>6107 58 12</b>	Vite	Screw	2
41 -Tab.2	<b>5589 5</b>	Dado	Nut	2
42 -Tab.2	<b>6109 5 12</b>	Vite	Screw	1
43 -Tab.2	<b>6592 8 16</b>	Rondella	Washer	1
44 -Tab.2	<b>5739 5 12</b>	Vite	Screw	1
45 -Tab.2	<b>221CE256</b>	Piastrina	Plate	1
46 -Tab.2	<b>221CE273</b>	Molla	Spring	1
47 -Tab.2	<b>221CE255</b>	Perno	Pin	2
48 -Tab.2	<b>6107 6 8/A2</b>	Vite	Screw	1
49 -Tab.2	<b>221CE271</b>	Rondella	Washer	4
50 -Tab.2	<b>221CE254</b>	Piastrina	Plate	1
51 -Tab.2	<b>5739 5 8</b>	Vite	Screw	2
52 -Tab.2	<b>22100901</b>	Pressamerce assembl. Bussola	Meat pusher with bushing	
53 -Tab.2	<b>221CE601</b>	Carrello CE assemblato	Carriage CE assembly	
54 -Tab.2	<b>221CE651</b>	Piastrina CE assemblata	Plate CE assembly	
55 -Tab.2	<b>221CE650</b>	Blocco CE assemblato	Block CE assembly	

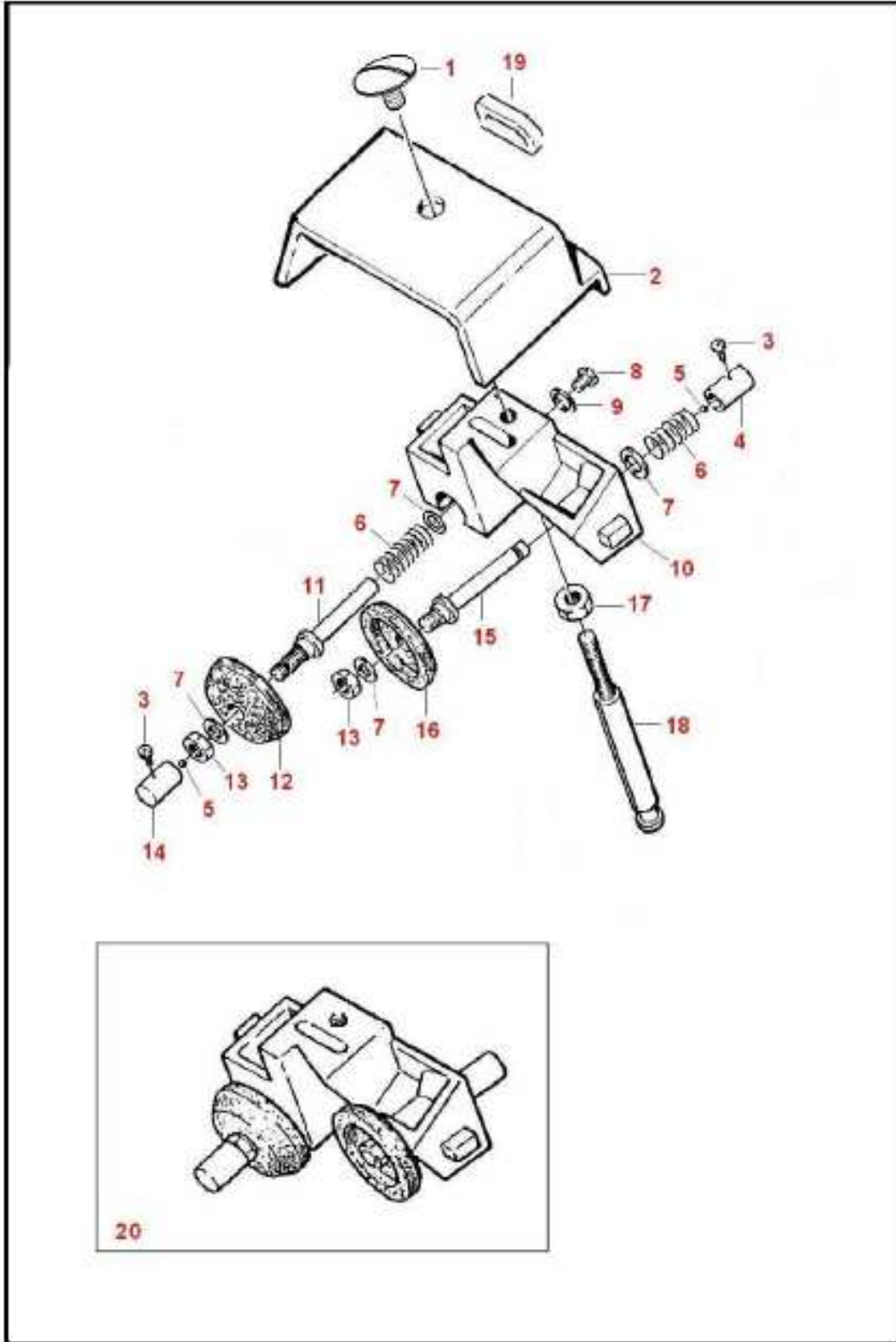


**RF-M221 – Tab.3****Affettatrice a gravità  
Straight feed slicer****REGOLAZIONE SPESSORE**  
**THICKNESS ADJUSTING ASSEMBLY**

*Exploded schematics RF-M221*

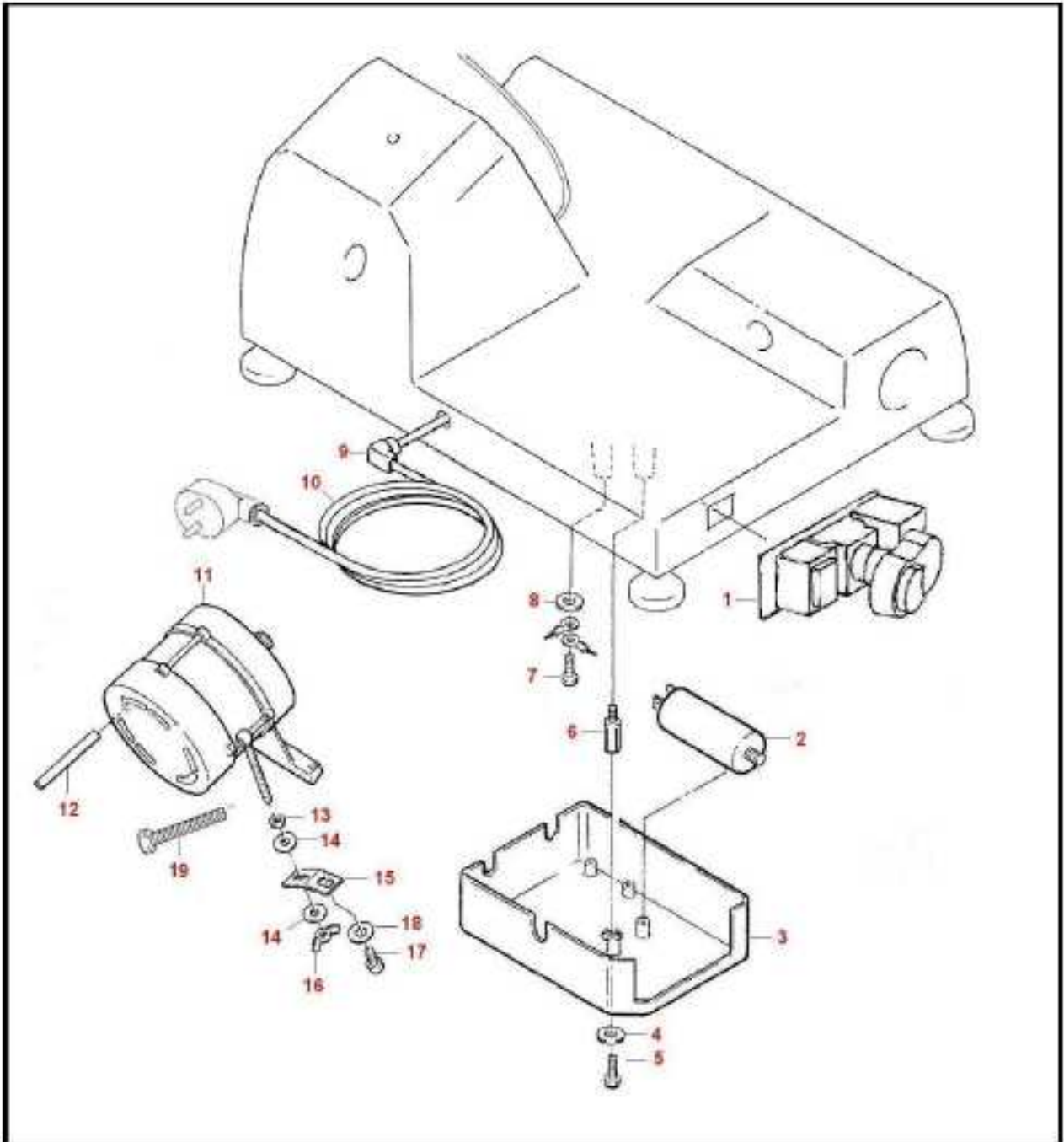
<b>Ref.</b>	<b>Code No.</b>	<b>Descrizione</b>	<b>Description</b>	<b>N°</b>
1 -Tab.3	<b>25100035A</b>	Manopola numerata rossa	Red Graduated knob	1
2 -Tab.3	<b>22100095</b>	Rondella ondulata	Washer	1
3 -Tab.3	<b>251A00702</b>	Cam assemblata	Cam assembly	1
4 -Tab.3	<b>22100027</b>	Perno	Pin	1
5 -Tab.3	<b>5589 6</b>	Dado	Nut	1
6 -Tab.3	<b>5929 10 20</b>	Grano	Nut	1
7 -Tab.3	<b>5739 5 12/O</b>	Vite ottone	Screw	1
8 -Tab.3	<b>5588 5</b>	Dado	Nut	1
9 -Tab.3	<b>22100030</b>	Tappino	Plastic tap	1
10 -Tab.3	<b>22100024</b>	Molla	Spring	1
11 -Tab.3	<b>22100022</b>	Spostamento	Support	1
12 -Tab.3	<b>22100026</b>	Piastrina	Plate	1
13 -Tab.3	<b>6954 5 12</b>	Vite autofilettante	Screw	2
14 -Tab.3	<b>221A00004</b>	Supporto vela	Gauge plate support	1
15 -Tab.3	<b>221A00003</b>	Vela	Gauge plate	1
16 -Tab.3	<b>255CE006</b>	Rondella	Washer	2
17 -Tab.3	<b>5739 6 18/A2</b>	Vite	Screw	2
18 -Tab.3	<b>255CE005</b>	Tappo	Plastic tap	2
19 -Tab.3	<b>6592 12 14</b>	Rondella	Washer	1
20 -Tab.3	<b>22100701</b>	Spostamento assemblato	Support assembly	



**RF-M221 – Tab.4****Affettatrice a gravità**  
**Straight feed slicer****AFFILATOIO**  
**SHARPENER ASSEMBLY**

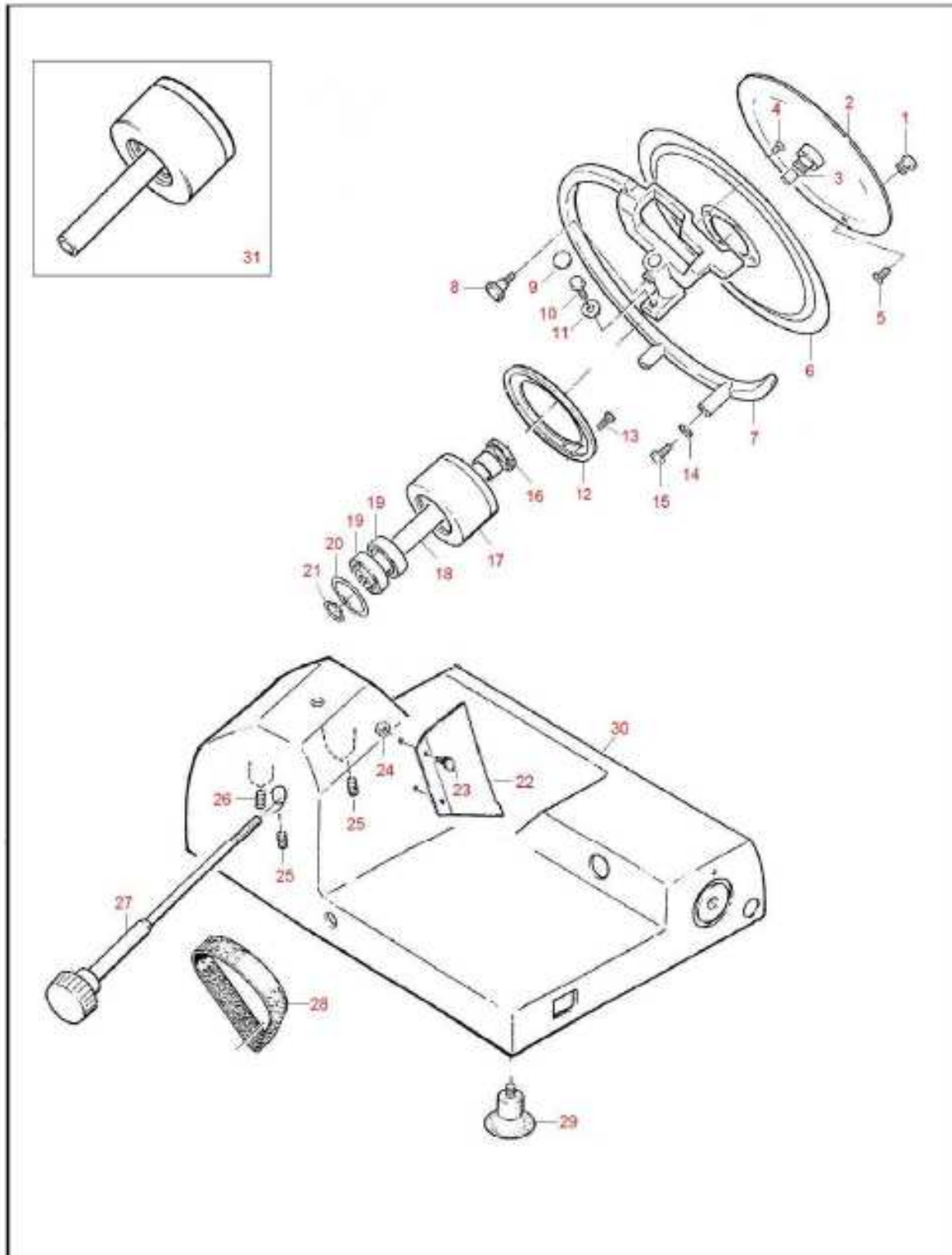
*Exploded schematics RF-M221*

<b>Ref.</b>	<b>Code No.</b>	<b>Descrizione</b>	<b>Description</b>	<b>N°</b>
1 -Tab.4	<b>351CE050</b>	Vite	Screw	1
2 -Tab.4	<b>221ACE010GF</b>	Capottina	Sharpener cover	1
3 -Tab.4	<b>6109 2 5</b>	Vite	Screw	2
4 -Tab.4	<b>221CE116</b>	Pulsantino	Push button	1
5 -Tab.4	<b>17001001</b>	Sfera 1/8	Ball 1/8	2
6 -Tab.4	<b>22100117</b>	Molla	Spring	2
7 -Tab.4	<b>221CE271IX</b>	Rondella	Washer	4
8 -Tab.4	<b>6107 3 6</b>	Vite	Screw	1
9 -Tab.4	<b>6592 3</b>	Rondella	Washer	1
10 -Tab.4	<b>22100108</b>	Sharpener frame	Corpo affilatoio	1
11 -Tab.4	<b>22100110</b>	Perno smeriglio	Wheel shaft	1
12 -Tab.4	<b>22100112</b>	Smeriglio	Grinding wheel	1
13 -Tab.4	<b>5589 6</b>	Dado	Nut	2
14 -Tab.4	<b>22100115</b>	Pulsantino	Push button	1
15 -Tab.4	<b>22100109</b>	Alberino	Wheel shaft	1
16 -Tab.4	<b>22100111</b>	Smeriglio	Grinding wheel	1
17 -Tab.4	<b>5588 8</b>	Dado	Nut	1
18 -Tab.4	<b>22100104</b>	Perno affilatoio	Shaft for sharpener	1
19 -Tab.4	<b>30100200</b>	Bandierina	Flag	1
20 -Tab.4	<b>221CE803</b>	Affilatoio completo	Sharpener assembly	

**RF-M221 – Tab.5****Affettatrice a gravità  
Straight feed slicer****COMPONENTI ELETTRICI  
ELECTRICAL COMPONENTS**

*Exploded schematics RF-M221*

<b>Ref.</b>	<b>Code No.</b>	<b>Descrizione</b>	<b>Description</b>	<b>N°</b>
1 -Tab.5	<b>251CE903</b>	Scheda doppio interruttore	Switch assembly	1
2 -Tab.5	<b>3002001</b>	Condensatore 6.3 mF	Capacitor	1
3 -Tab.5	<b>221CE136</b>	Scatole elettrica	Protection box	1
4 -Tab.5	<b>6593 5 24</b>	Rondella	Washer	1
5 -Tab.5	<b>5739 5 10</b>	Vite	Screw	1
6 -Tab.5	<b>22100128</b>	Distanziale	Spacer	1
7 -Tab.5	<b>5739 5 8</b>	Vite	Screw	1
8 -Tab.5	<b>221CE271</b>	Rondella	Washer	1
9 -Tab.5	<b>6001001</b>	Passacavo	Locking plate	1
10 -Tab.5	<b>3004902</b>	Cavo+spina V.230	Cable+plug V.230	1
11 -Tab.5	<b>22100048</b>	Motore V.230	Motor V.230	1
12 -Tab.5	<b>22100060</b>	Spina motore	Motor pin	1
13 -Tab.5	<b>5588 6</b>	Dado	Nut	1
14 -Tab.5	<b>6592 6 18</b>	Rondella	Washer	2
15 -Tab.5	<b>22100055</b>	Piastrina	Plate	1
16 -Tab.5	<b>5448 6</b>	Dado	Nut	1
17 -Tab.5	<b>5931 8 14</b>	Vite	Screw	1
18 -Tab.5	<b>6592 8 24</b>	Rondella	Washer	1
19 -Tab.5	<b>5739 6 60</b>	Vite	Screw	1

**RF-M251 – Tab.1****CASSA-TRASMISSIONE-LAMA  
BASE-TRANSMISSION-BLADE****Affettatrice a gravità  
Staight feed slicer**

*Exploded schematics RF-M251*

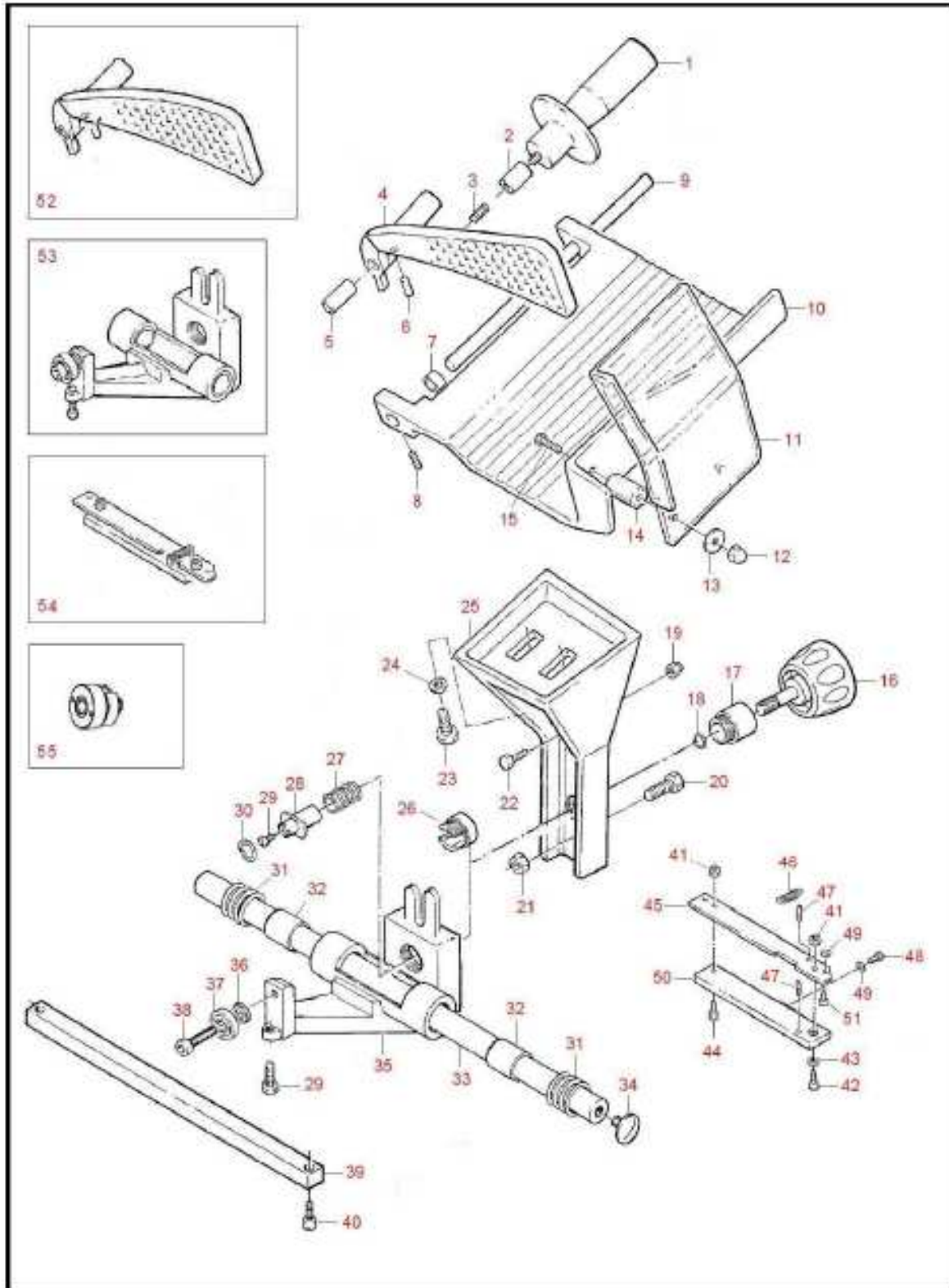
<b>Ref.</b>	<b>Code No.</b>	<b>Descrizione</b>	<b>Description</b>	<b>Q.tà</b>
1 - tab. 1	<b>30500195</b>	Pulsante paralama	Aluminium cover knob	1
2 - tab. 1	<b>251A00002</b>	Disco paralama 250mm	Blade cover 250mm.	1
3 - tab. 1	<b>9001001</b>	Inserto paralama	Cover insert	1
4 - tab. 1	<b>6109 5 12/A2</b>	Vite	Screw	3
5 - tab. 1	<b>6109 5 10</b>	Vite	Screw	1
6 - tab. 1	<b>25100073SK</b>	Lama 250mm	Knife 250mm.	1
7 - tab. 1	<b>251A00257G</b>	Anello paralama	Blade guard ring	1
8 - tab. 1	<b>221CE103A</b>	Manopola affilatoio rossa	Red Knob	1
9 - tab. 1	<b>255CE005</b>	Tappo in plastica	Plastic tap	1
10 - tab. 1	<b>5739 6 20/A2</b>	Vite	Screw	1
11 - tab. 1	<b>255CE006</b>	Rondella	Alluminium washer	1
12 - tab. 1	<b>22100160</b>	Anello flangia	Plastic ring	1
13 - tab. 1	<b>6954 3 6</b>	Vite	Screw	2
14 - tab. 1	<b>6593 5 15</b>	Rondella	Washer	2
15 - tab. 1	<b>5739 5 10</b>	Vite	Screw	2
16 - tab. 1	<b>1001001</b>	Corteco	Rubber ring	1
17 - tab. 1	<b>221CE067</b>	Puleggia	Pulley	1
18 - tab. 1	<b>22100068</b>	Perno puleggia	Pulley shaft	1
19 - tab. 1	<b>3001001</b>	Cuscinetto 6202 2RS	Bearing 6202 2RS	2
20 - tab. 1	<b>743735</b>	Seeger	Circlip	1
21 - tab. 1	<b>743515</b>	Seeger	Circlip	1
22 - tab. 1	<b>221A00011</b>	Parafetta inox	Deflector	1
23 - tab. 1	<b>351A00091</b>	Vite per parafetta	Screw for deflector	2
24 - tab. 1	<b>5589 6</b>	Dado	Nut	2
25 - tab. 1	<b>5923 6 12</b>	Grano	Grub screw	2
26 - tab. 1	<b>5923 6 8</b>	Grano	Grub screw	1
27 - tab. 1	<b>221CE501A</b>	Tirante paralama rosso	Red Tie rod assembly	1
28 - tab. 1	<b>3005002</b>	Cinghia 330x8	Belt 330x8	1
29 - tab. 1	<b>251ACE093</b>	Piedino	Rubber foot	4
30 - tab. 1	<b>256A00001</b>	Cassa	Casing	1
31 - tab. 1	<b>221A00502</b>	Puleggia assemblata	Pulley assembly	



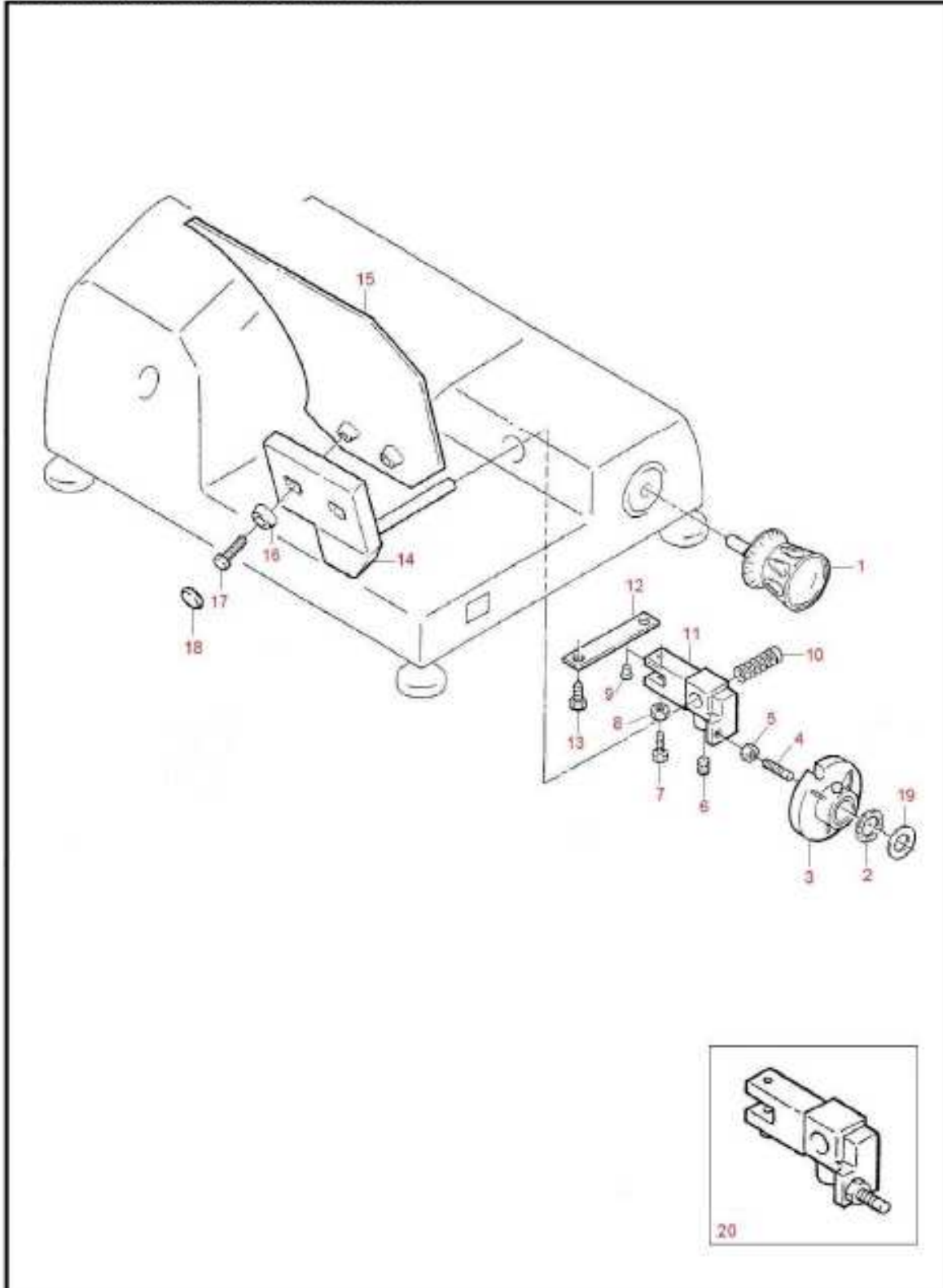
**RF-M251 – Tab.2**

**Affettatrice a gravità**  
**Straight feed slicer**

**PIATTO-CARRELLO**  
**MEAT TABLE ASSEMBLY**

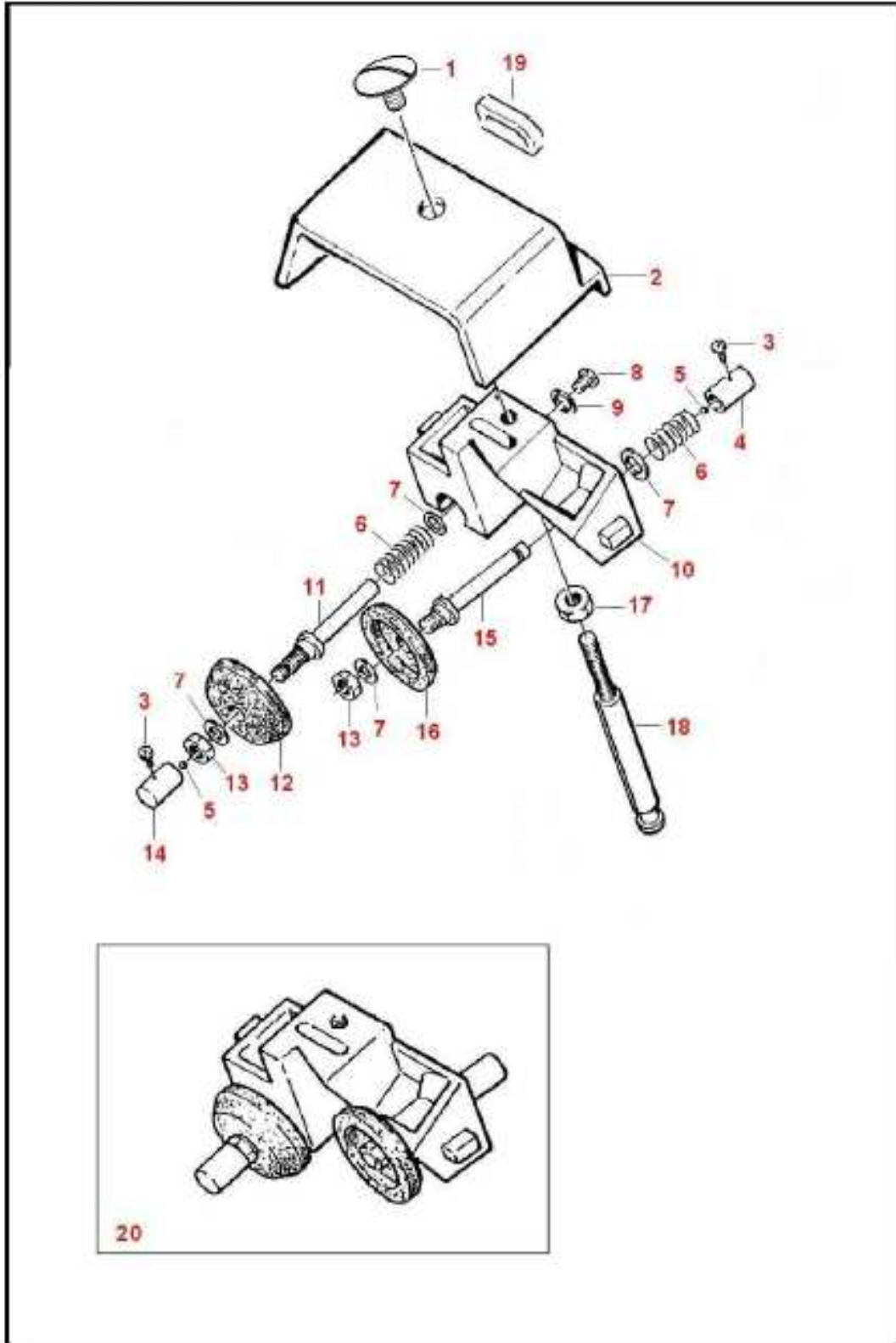


<i>Ref.</i>	<i>Code No.</i>	<i>Descrizione</i>	<i>Description</i>	<i>N°</i>
1 -Tab.2	<b>221CE080A</b>	Manopola pressamerce rossa	Red Pusher handle CE	1
2 -Tab.2	<b>221ACE207</b>	Distanziale pressamerce	Spacer for meat pusher	1
3 -Tab.2	<b>5923 8 20</b>	Grano	Grub screw	1
4 -Tab.2	<b>251B00009</b>	Pressamerce	Meat pusher	1
5 -Tab.2	<b>25100079</b>	Bussola	Bushing	1
6 -Tab.2	<b>25100082</b>	Nottolino	Retainer	1
7 -Tab.2	<b>18002001</b>	Distanziale	Spacer	0.01
8 -Tab.2	<b>5923 5 6</b>	Grano	Grub screw	1
9 -Tab.2	<b>25100084</b>	Asta piatto	Rod	1
10 -Tab.2	<b>251ACE008</b>	Piatto CE	Meat table	1
11 -Tab.2	<b>251CE094</b>	Protezione plexi	Plexi guard	1
12 -Tab.2	<b>5721 6/A2</b>	Dado	Nut	2
13 -Tab.2	<b>22100006</b>	Rondella alluminio	Aluminium washer	2
14 -Tab.2	<b>301CE133</b>	Distanziale rosso	Red Spacer	2
15 -Tab.2	<b>354CE132</b>	Vite inox	Stainless steel screw	2
16 -Tab.2	<b>302CE040A</b>	Manopola piatto rossa	Red carriage knob	1
17 -Tab.2	<b>302CE290</b>	Bussola alluminio	Aluminium bushing	1
18 -Tab.2	<b>743510</b>	Seeger	Circlip	1
19 -Tab.2	<b>5721 8</b>	Dado	Nut	1
20 -Tab.2	<b>603 8 30/A2</b>	Vite	Screw	1
21 -Tab.2	<b>5588 8</b>	Dado	Nut	1
22 -Tab.2	<b>5739 8 30</b>	Vite	Screw	1
23 -Tab.2	<b>5739 5 20</b>	Vite	Screw	2
24 -Tab.2	<b>6592 6 24</b>	Rondella	Washer	2
25 -Tab.2	<b>221ACE007</b>	Supporto piatto CE	Meat table support 'CE'	1
26 -Tab.2	<b>221CE268</b>	Bussola	Aluminium Bushing D.35	1
27 -Tab.2	<b>221CE269</b>	Molla	Spring	1
28 -Tab.2	<b>221CE270</b>	Bussola	Bushing D.29	1
29 -Tab.2	<b>6107 6 10/N</b>	Vite nylon	Nylon screw	2
30 -Tab.2	<b>743722</b>	Seeger	Circlip	1
31 -Tab.2	<b>22100020</b>	Molla carrello	Spring	2
32 -Tab.2	<b>2001005</b>	Bussola	Bushing	2
33 -Tab.2	<b>22100013</b>	Barra tonda	Round bar	1
34 -Tab.2	<b>22100050</b>	Vite	Screw	2
35 -Tab.2	<b>221CE012</b>	Carrello CE	Carriage CE	1
36 -Tab.2	<b>22100017</b>	Rondella	Washer	1
37 -Tab.2	<b>3001011</b>	Cuscinetto 626 2RS R11	Bearing	1
38 -Tab.2	<b>5931 6 25</b>	Vite	Screw	1
39 -Tab.2	<b>22100014</b>	Barra quadra	Square bar	1
40 -Tab.2	<b>6107 58 12</b>	Vite	Screw	2
41 -Tab.2	<b>5589 5</b>	Dado	Nut	2
42 -Tab.2	<b>6109 5 12</b>	Vite	Screw	1
43 -Tab.2	<b>6592 8 16</b>	Rondella	Washer	1
44 -Tab.2	<b>5739 5 12</b>	Vite	Screw	1
45 -Tab.2	<b>221CE256</b>	Piastrina	Plate	1
46 -Tab.2	<b>221CE273</b>	Molla	Spring	1
47 -Tab.2	<b>221CE255</b>	Perno	Pin	2
48 -Tab.2	<b>6107 6 8/A2</b>	Vite	Screw	1
49 -Tab.2	<b>221CE271</b>	Rondella	Washer	4
50 -Tab.2	<b>221CE254</b>	Piastrina	Plate	1
51 -Tab.2	<b>5739 5 8</b>	Vite	Screw	2
52 -Tab.2	<b>251B00901</b>	Pressamerce assembl. Bussola	Meat pusher with bushing	
53 -Tab.2	<b>221CE601</b>	Carrello CE assemblato	Carriage CE assembly	
54 -Tab.2	<b>221CE651</b>	Piastrina CE assemblata	Plate CE assembly	
55 -Tab.2	<b>221CE650</b>	Blocco CE assemblato	Block CE assembly	

**RF-M251 – Tab.3****Affettatrice a gravità  
Straight feed slicer****REGOLAZIONE SPESSORE**  
**THICKNESS ADJUSTING ASSEMBLY**

*Exploded schematics RF-M251*

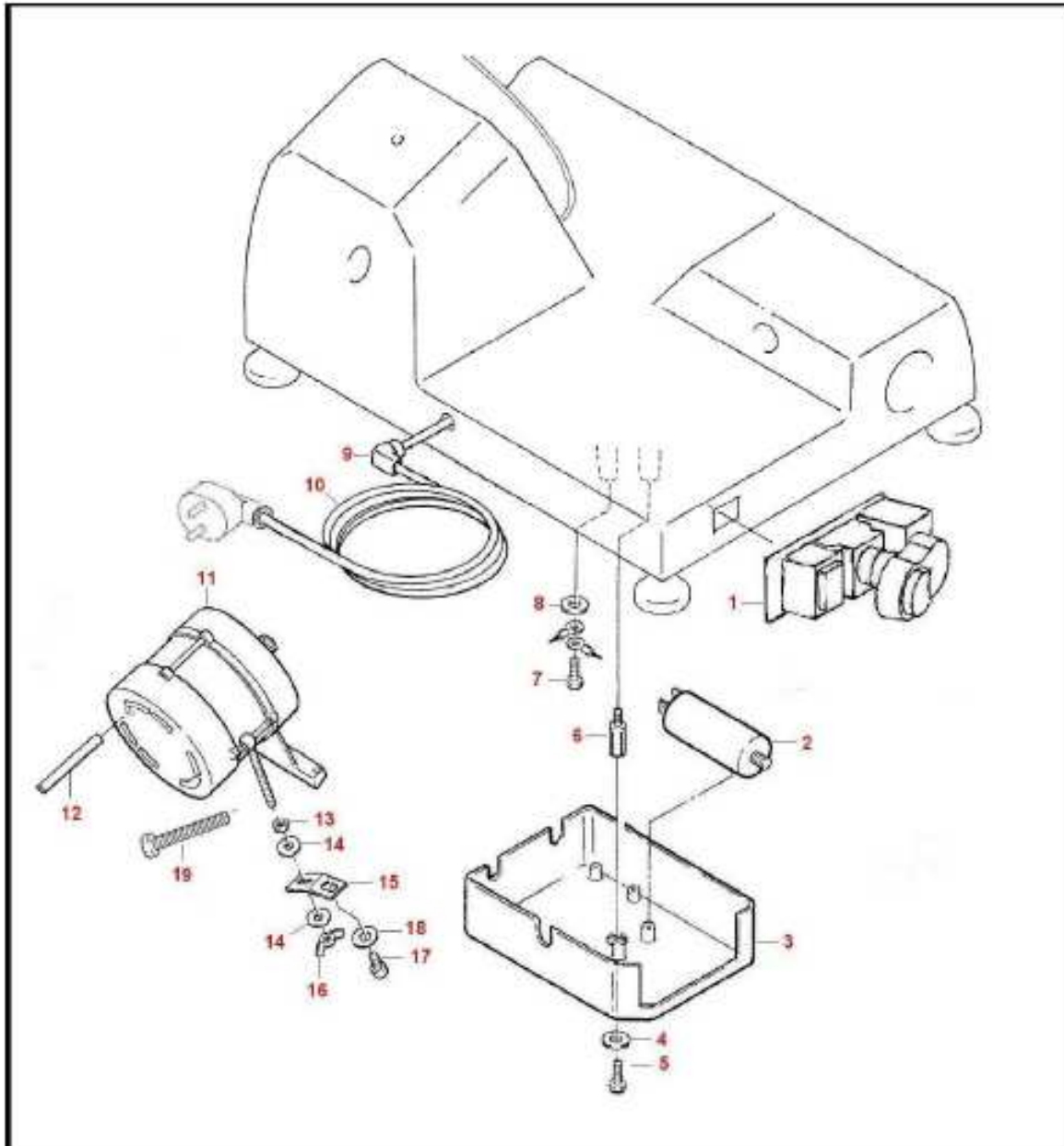
<b>Ref.</b>	<b>Code No.</b>	<b>Descrizione</b>	<b>Description</b>	<b>N°</b>
1 -Tab.3	<b>25100035A</b>	Manopola numerata rossa	Red Graduated knob	1
2 -Tab.3	<b>22100095</b>	Rondella ondulata	Washer	1
3 -Tab.3	<b>251A00702</b>	Cam assemblata	Cam assembly	1
4 -Tab.3	<b>22100027</b>	Perno	Pin	1
5 -Tab.3	<b>5589 6</b>	Dado	Nut	1
6 -Tab.3	<b>5929 10 20</b>	Grano	Nut	1
7 -Tab.3	<b>5739 5 12/O</b>	Vite ottone	Screw	1
8 -Tab.3	<b>5588 5</b>	Dado	Nut	1
9 -Tab.3	<b>22100030</b>	Tappino	Plastic tap	1
10 -Tab.3	<b>22100024</b>	Molla	Spring	1
11 -Tab.3	<b>22100022</b>	Spostamento	Support	1
12 -Tab.3	<b>22100026</b>	Piastrina	Plate	1
13 -Tab.3	<b>6954 5 12</b>	Vite autofilettante	Screw	2
14 -Tab.3	<b>221A00004</b>	Supporto vela	Gauge plate support	1
15 -Tab.3	<b>256A00003</b>	Vela	Gauge plate	1
16 -Tab.3	<b>255CE006</b>	Rondella	Washer	2
17 -Tab.3	<b>5739 6 18/A2</b>	Vite	Screw	2
18 -Tab.3	<b>255CE005</b>	Tappo	Plastic tap	2
19 -Tab.3	<b>6592 12 24</b>	Rondella	Washer	1
20 -Tab.3	<b>22100701</b>	Spostamento assemblato	Support assembly	

**RF-M251 – Tab.4****Affettatrice a gravità**  
**Straight feed slicer****AFFILATOIO**  
**SHARPENER ASSEMBLY**

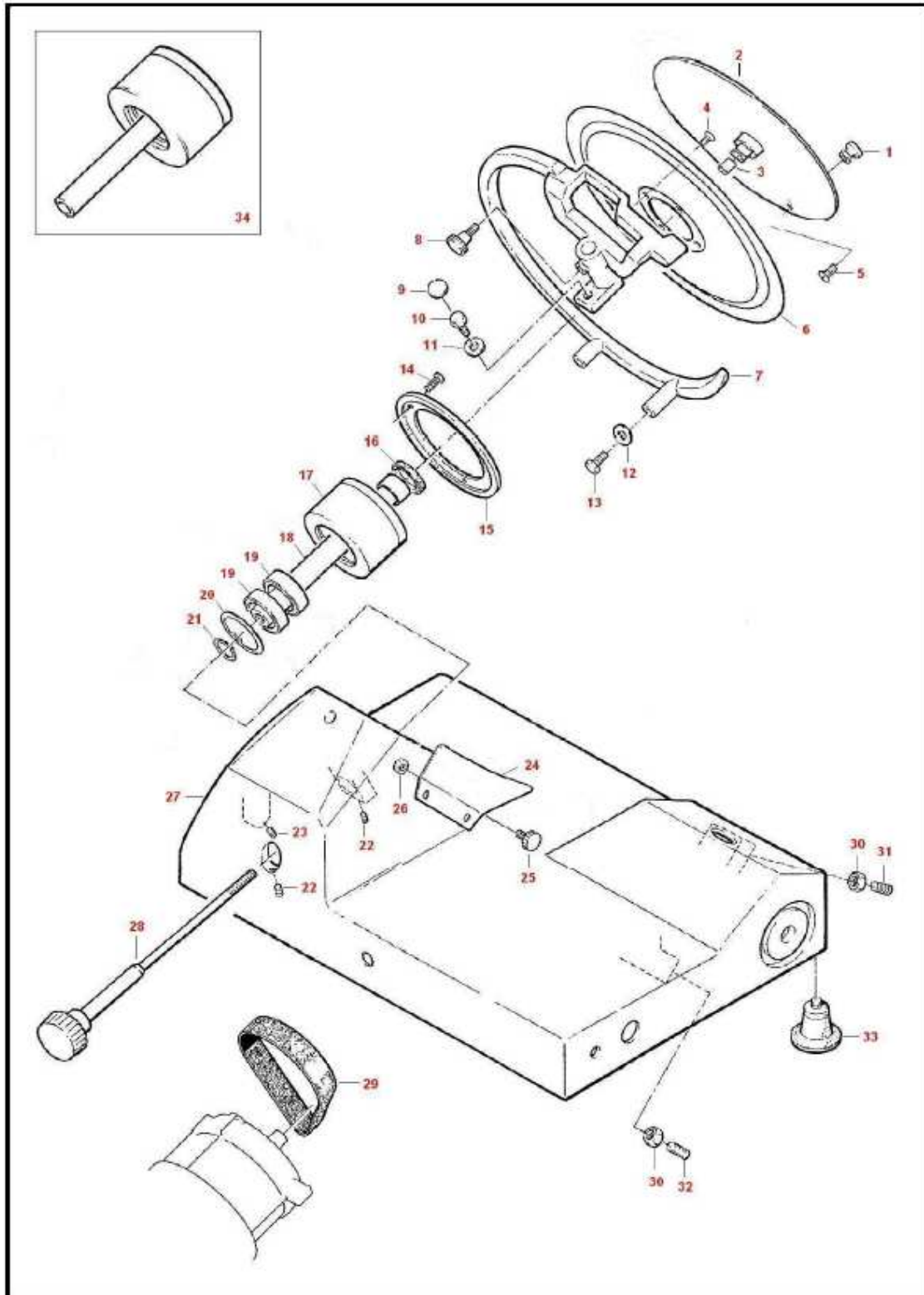
*Exploded schematics RF-M251*

<b>Ref.</b>	<b>Code No.</b>	<b>Descrizione</b>	<b>Description</b>	<b>N°</b>
1 -Tab.4	<b>351CE050</b>	Vite	Screw	1
2 -Tab.4	<b>221ACE010GF</b>	Capottina	Sharpener cover	1
3 -Tab.4	<b>6109 2 5</b>	Vite	Screw	2
4 -Tab.4	<b>221CE116</b>	Pulsantino	Push button	1
5 -Tab.4	<b>17001001</b>	Sfera 1/8	Ball 1/8	2
6 -Tab.4	<b>22100117</b>	Molla	Spring	2
7 -Tab.4	<b>221CE271IX</b>	Rondella	Washer	4
8 -Tab.4	<b>6107 3 6</b>	Vite	Screw	1
9 -Tab.4	<b>6592 3</b>	Rondella	Washer	1
10 -Tab.4	<b>22100108</b>	Sharpener frame	Corpo affilatoio	1
11 -Tab.4	<b>22100110</b>	Perno smeriglio	Wheel shaft	1
12 -Tab.4	<b>22100112</b>	Smeriglio	Grinding wheel	1
13 -Tab.4	<b>5589 6</b>	Dado	Nut	2
14 -Tab.4	<b>22100115</b>	Pulsantino	Push button	1
15 -Tab.4	<b>22100109</b>	Alberino	Wheel shaft	1
16 -Tab.4	<b>22100111</b>	Smeriglio	Grinding wheel	1
17 -Tab.4	<b>5588 8</b>	Dado	Nut	1
18 -Tab.4	<b>25100104</b>	Perno affilatoio	Shaft for sharpener	1
19 -Tab.4	<b>30100200</b>	Bandierina	Flag	1
20 -Tab.4	<b>221CE803</b>	Affilatoio completo	Sharpener assembly	



**RF-M251 – Tab.5****Affettatrice a gravità  
Straight feed slicer****COMPONENTI ELETTRICI  
ELECTRICAL COMPONENTS**

<b>Ref.</b>	<b>Code No.</b>	<b>Descrizione</b>	<b>Description</b>	<b>N°</b>
1 -Tab.5	<b>251CE903</b>	Scheda doppio interruttore	Switch assembly	1
2 -Tab.5	<b>3002001</b>	Condensatore 6.3 mF	Capacitor	1
3 -Tab.5	<b>221CE136</b>	Scatole elettrica	Protection box	1
4 -Tab.5	<b>6593 5 24</b>	Rondella	Washer	1
5 -Tab.5	<b>5739 5 10</b>	Vite	Screw	1
6 -Tab.5	<b>22100128</b>	Distanziale	Spacer	1
7 -Tab.5	<b>5739 5 8</b>	Vite	Screw	1
8 -Tab.5	<b>221CE271</b>	Rondella	Washer	1
9 -Tab.5	<b>6001001</b>	Passacavo	Locking plate	1
10 -Tab.5	<b>3004902</b>	Cavo+spina V.230	Cable+plug V.230	1
11 -Tab.5	<b>22100048</b>	Motore V.230	Motor V.230	1
12 -Tab.5	<b>22100060</b>	Spina motore	Motor pin	1
13 -Tab.5	<b>5588 6</b>	Dado	Nut	1
14 -Tab.5	<b>6592 6 18</b>	Rondella	Washer	2
15 -Tab.5	<b>22100055</b>	Piastrina	Plate	1
16 -Tab.5	<b>5448 6</b>	Dado	Nut	1
17 -Tab.5	<b>5931 8 14</b>	Vite	Screw	1
18 -Tab.5	<b>6592 8 24</b>	Rondella	Washer	1
19 -Tab.5	<b>5739 6 60</b>	Vite	Screw	1

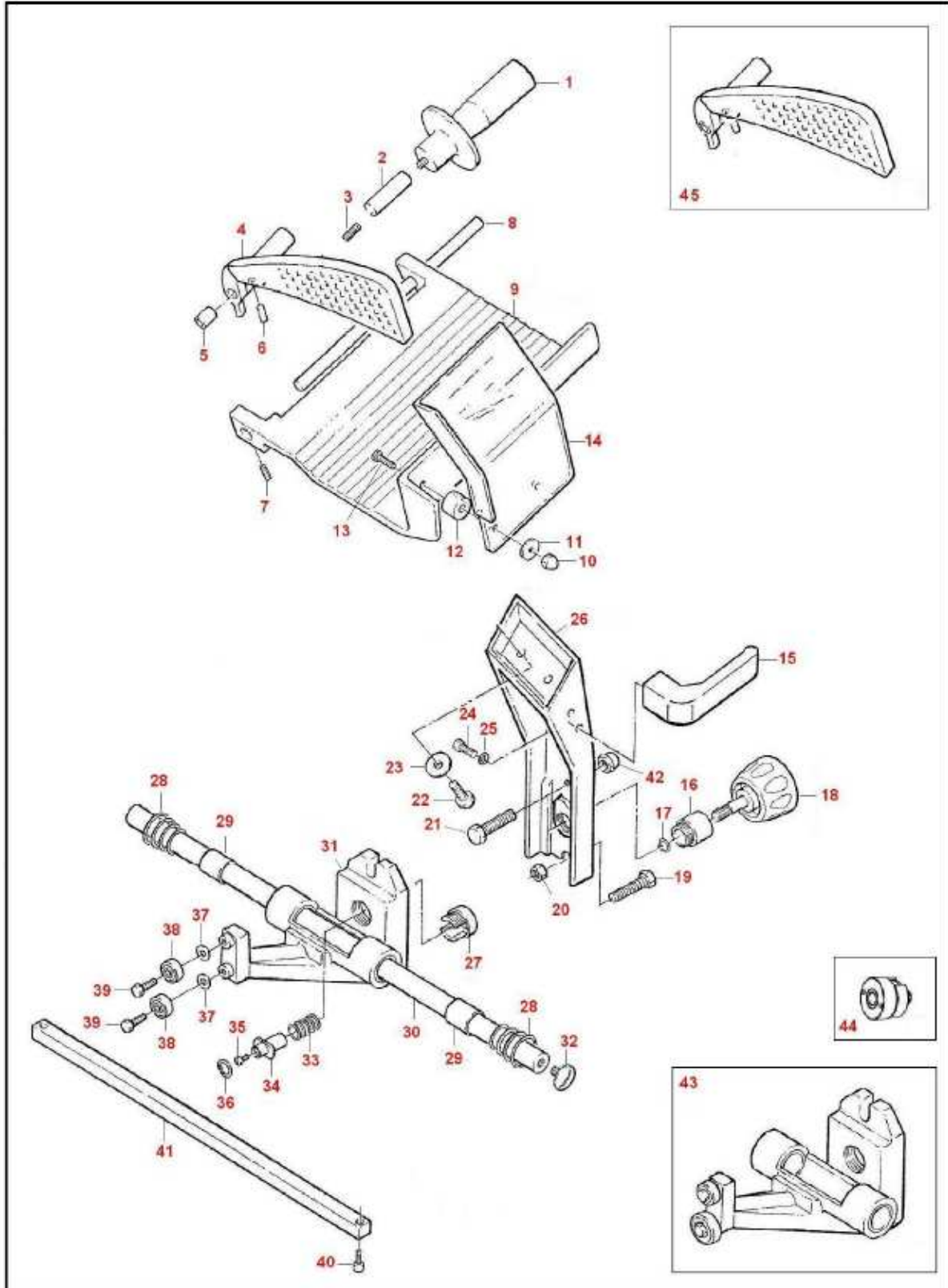
**RF-M301 – Tab.1****Affettatrice a gravità  
Straight feed slicer****CASSA-TRASMISSIONE-LAMA**  
**BASE-TRANSMISSION-BLADE**

<b>Ref.</b>	<b>Code No.</b>	<b>Descrizione</b>	<b>Description</b>	<b>Q.tà</b>
1 - tab. 1	<b>30500195</b>	Pulsante per disco paralama	Aluminium cover knob	1
2 - tab. 1	<b>307A00002</b>	Paralama 300mm.	Blade cover 300mm.	1
3 - tab. 1	<b>9001002</b>	Inserito paralama	Cover insert	1
4 - tab. 1	<b>6109 5 12/A2</b>	Vite inox	Stainless steel	4
5 - tab. 1	<b>6109 5 10</b>	Vite	Screw	1
6 - tab. 1	<b>30100073ASK</b>	Lama D.300	Knife D.300	1
7 - tab. 1	<b>301A00257G</b>	Anello paralama	Blade guard ring	1
8 - tab. 1	<b>221CE103A</b>	Pomolo affilatoio rosso	Red knob	1
9 - tab. 1	<b>255CE005</b>	Tappo	Plastic tap	1
10 - tab. 1	<b>5739 6 20/A2</b>	Vite	Screw	1
11 - tab. 1	<b>255CE006</b>	Rondella alluminio	Aluminium washer	1
12 - tab. 1	<b>6593 5 15</b>	Rondella	Washer	1
13 - tab. 1	<b>5739 5 10</b>	Vite	Screw	1
14 - tab. 1	<b>6954 3 6</b>	Vite autofilettante	Screw	3
15 - tab. 1	<b>30700160C</b>	Anello copripuleggia	Plastic ring	1
16 - tab. 1	<b>1001001</b>	Anello di tenuta	Rubber ring	1
17 - tab. 1	<b>251CE067</b>	Puleggia	Pulley	1
18 - tab. 1	<b>251A00068</b>	Perno puleggia	Pulley shaft	1
19 - tab. 1	<b>3001001</b>	Cuscinetto 6202 2RS	Bearing 6202 2RS	2
20 - tab. 1	<b>743735</b>	Anello seeger	Circlip	1
21 - tab. 1	<b>743515</b>	Anello seeger	Circlip	1
22 - tab. 1	<b>5923 6 6</b>	Grano	Grub screw	2
23 - tab. 1	<b>5923 6 8</b>	Grano	Grub screw	1
24 - tab. 1	<b>305A00011</b>	Parafetta inox	Deflector	1
25 - tab. 1	<b>351A00091</b>	Vite per parafetta	Screw for deflector	2
26 - tab. 1	<b>5589 6</b>	Dado	Nut	2
27 - tab. 1	<b>307ACE001</b>	Cassa	Casing	1
28 - tab. 1	<b>251A00501A</b>	Tirante paralama rosso	Red Tie rod	1
29 - tab. 1	<b>3005002</b>	Cinghia 330x8	Belt 330x8	1
30 - tab. 1	<b>5588 6</b>	Dado	Nut	2
31 - tab. 1	<b>5923 6 12</b>	Grano	Grub screw	1
32 - tab. 1	<b>5923 6 10</b>	Grano	Grub screw	1
33 - tab. 1	<b>251ACE093</b>	Piedino	Rubber foot	4
34 - tab. 1	<b>307A00502</b>	Puleggia assemblata	Pulley assembly	

**RF-M301 – Tab.2**

**Affettatrice a gravità**  
**Straight feed slicer**

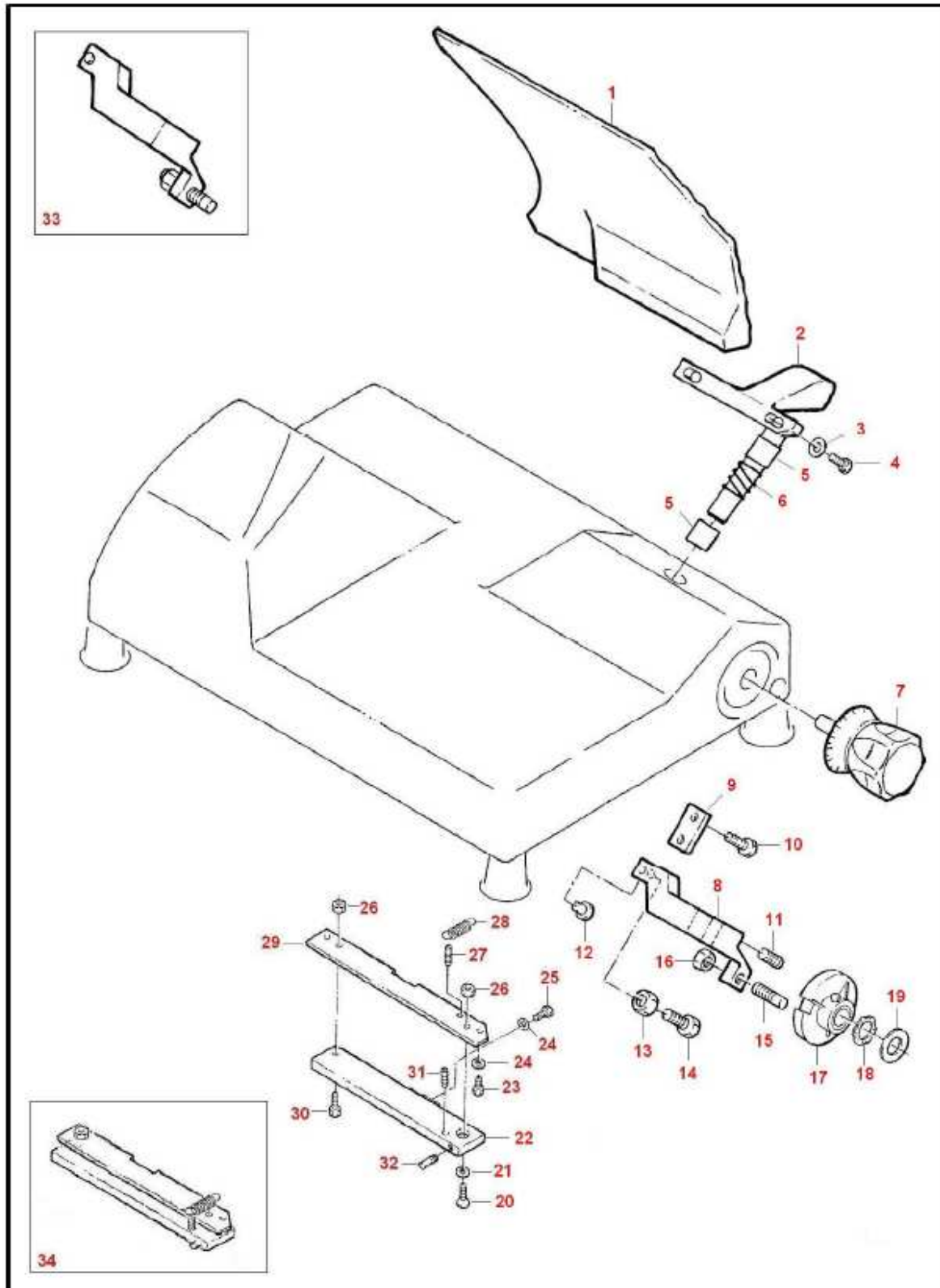
**PIATTO-CARRELLO**  
**MEAT TABLE ASSEMBLY**





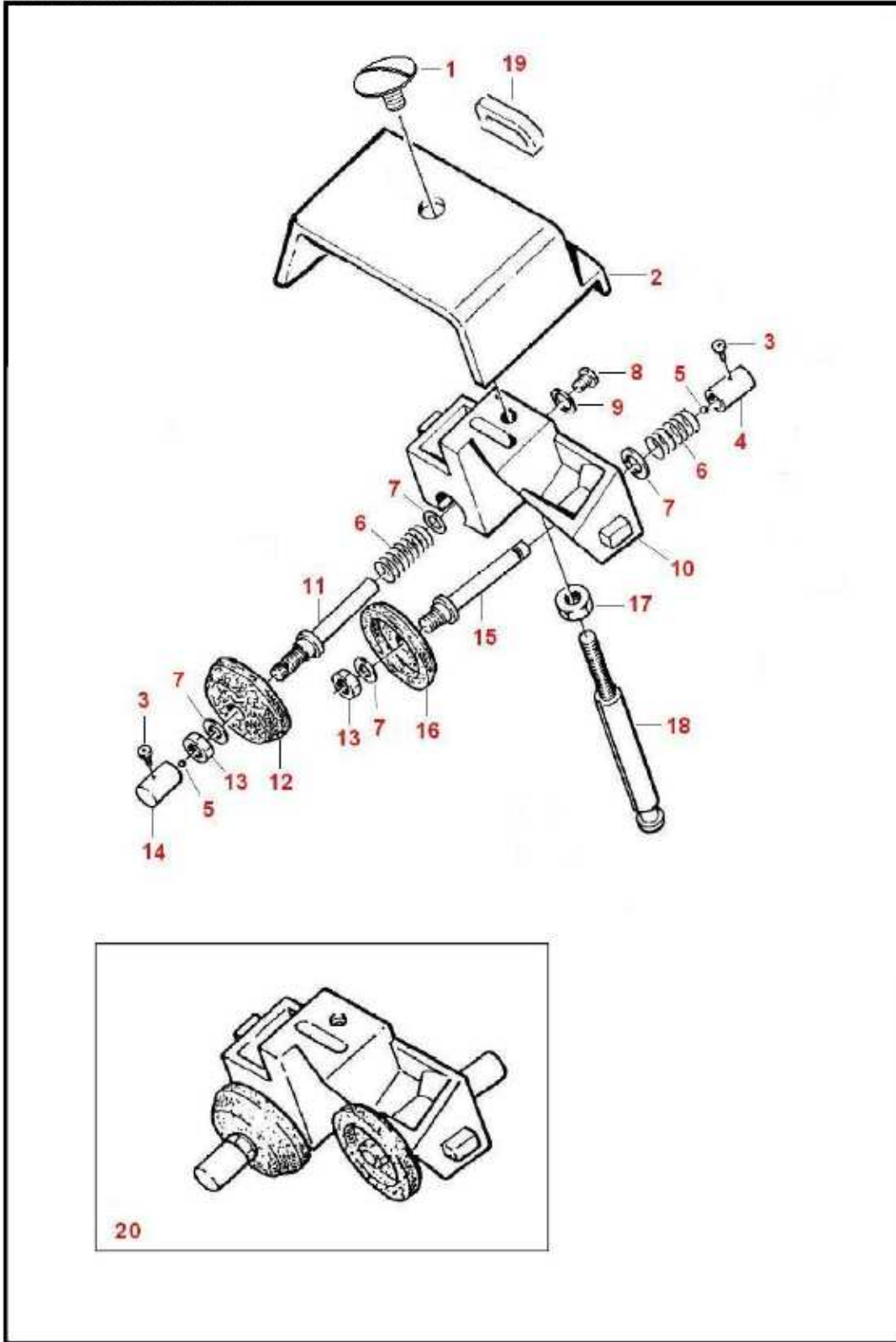
<b>Ref.</b>	<b>Code No.</b>	<b>Descrizione</b>	<b>Description</b>	<b>N°</b>
1 -Tab.2	<b>221CE080A</b>	Manopola pressamerce rossa	Red Pusher handle CE	1
2 -Tab.2	<b>221ACE207</b>	Distanziale pressamerce	Spacer for meat pusher	1
3 -Tab.2	<b>5923 8 20</b>	Grano	Grub screw	1
4 -Tab.2	<b>251B00009</b>	Pressamerce	Meat pusher	1
5 -Tab.2	<b>25100079</b>	Bussola	Bushing	1
6 -Tab.2	<b>25100082</b>	Nottolino	Retainer	1
7 -Tab.2	<b>5923 5 6</b>	Grano	Grub screw	1
8 -Tab.2	<b>25100084</b>	Asta piatto	Rod	1
9 -Tab.2	<b>307ACE008</b>	Piatto CE	Meat table	1
10 -Tab.2	<b>5721 6/A2</b>	Dado	Nut	2
11 -Tab.2	<b>22100006</b>	Rondella alluminio	Aluminium washer	2
12 -Tab.2	<b>301CE133</b>	Distanziale rosso	Red Spacer	2
13 -Tab.2	<b>354CE132</b>	Vite inox	Stainless steel screw	2
14 -Tab.2	<b>251CE094</b>	Protezione plexi	Plexi guard	1
15 -Tab.2	<b>30100037A</b>	Maniglia a L rossa	Red Carriage handle	1
16 -Tab.2	<b>302CE290</b>	Bussola alluminio	Aluminium bushing	1
17 -Tab.2	<b>743510</b>	Seeger	Circlip	1
18 -Tab.2	<b>302CE040A</b>	Manopola piatto rossa	Red carriage knob	1
19 -Tab.2	<b>603 8 40/A2</b>	Vite	Screw	1
20 -Tab.2	<b>5588 8</b>	Dado	Nut	1
21 -Tab.2	<b>5739 8 30</b>	Vite	Screw	1
22 -Tab.2	<b>5739 5 20</b>	Vite	Screw	2
23 -Tab.2	<b>6592 6 24</b>	Rondella	Washer	2
24 -Tab.2	<b>5739 6 14</b>	Vite	Screw	2
25 -Tab.2	<b>1751 6</b>	Rondella	Washer	2
26 -Tab.2	<b>251ACE007</b>	Supporto piatto CE	Meat table support 'CE'	1
27 -Tab.2	<b>221CE268</b>	Bussola	Aluminium Bushing D.35	1
28 -Tab.2	<b>22100020</b>	Molla carrello	Spring	2
29 -Tab.2	<b>2001005</b>	Bussola	Bushing	2
30 -Tab.2	<b>25100013</b>	Barra tonda	Round bar	1
31 -Tab.2	<b>251CE012</b>	Carrello CE	Carriage CE	1
32 -Tab.2	<b>22100050</b>	Vite	Screw	2
33 -Tab.2	<b>221CE269</b>	Molla	Spring	1
34 -Tab.2	<b>221CE270</b>	Bussola	Bushing D.29	1
35 -Tab.2	<b>6107 6 10/N</b>	Vite nylon	Nylon screw	2
36 -Tab.2	<b>743722</b>	Seeger	Circlip	1
37 -Tab.2	<b>221CE271</b>	Rondella	Washer	2
38 -Tab.2	<b>3001003</b>	Cuscinetto 626 ZZ	Bearing 626 ZZ	2
39 -Tab.2	<b>5739 6 20</b>	Vite	Screw	2
40 -Tab.2	<b>6107 5 15</b>	Vite	Screw	2
41 -Tab.2	<b>251A00014</b>	Barra quadra	Square bar	1
42 -Tab.2	<b>5721 8</b>	Dado	Nut	1
43 -Tab.2	<b>251CE601</b>	Carrello assemblato	Carriage assembly	
44 -Tab.2	<b>221CE650</b>	Blocco CE assemblato	Block CE assembly	
45 -Tab.2	<b>251B00901</b>	Pressamerce assembl. Bussola	Meat pusher with bushing	



**RF-M301 – Tab.3****Affettatrice a gravità  
Straight feed slicer****REGOLAZIONE SPESSORE**  
**THICKNESS ADJUSTING ASSEMBLY**

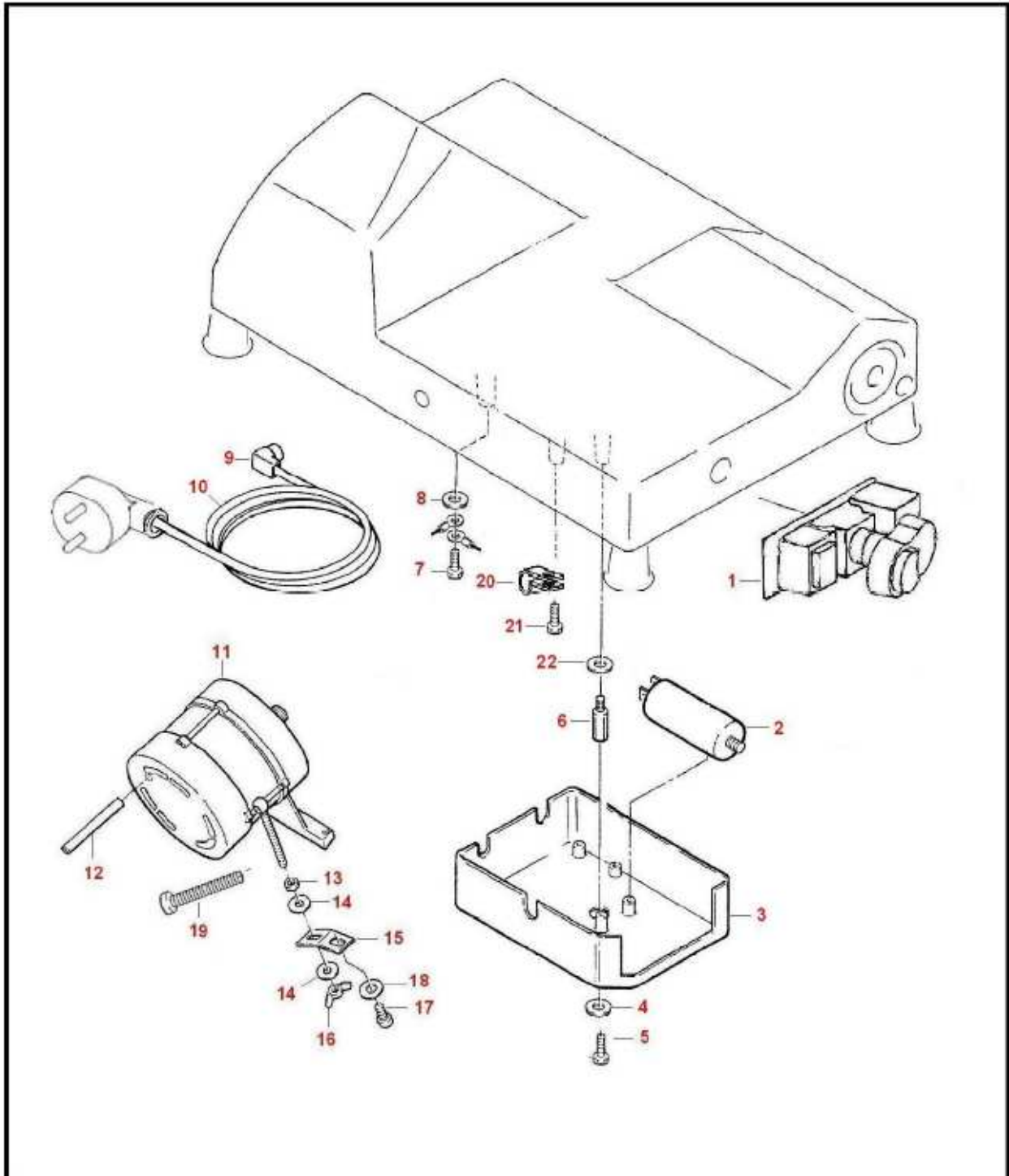
*Exploded schematics RF-M301*

<b>Ref.</b>	<b>Code No.</b>	<b>Descrizione</b>	<b>Description</b>	<b>N°</b>
1 -Tab.3	<b>307A00003</b>	Vela	Gauge plate	1
2 -Tab.3	<b>251A00004</b>	Supporto vela	Gauge plate support	1
3 -Tab.3	<b>22100016</b>	Rondella	Washer	2
4 -Tab.3	<b>5739 6 30/A2</b>	Vite	Screw	2
5 -Tab.3	<b>2001006</b>	Bussola	Bushing	2
6 -Tab.3	<b>25100118</b>	Molla	Spring	1
7 -Tab.3	<b>25100035A</b>	Manopola numerata rossa	Red Graduated knob	1
8 -Tab.3	<b>251A00022</b>	Spostamento	Support	1
9 -Tab.3	<b>251A00026</b>	Piastrina	Plate	1
10 -Tab.3	<b>5739 5 12</b>	Vite	Screw	2
11 -Tab.3	<b>5929 8 8</b>	Grano	Grub screw	1
12 -Tab.3	<b>22100030</b>	Tappino	Plastic tap	1
13 -Tab.3	<b>5588 5</b>	Dado	Nut	1
14 -Tab.3	<b>5739 5 20/O</b>	Vite	Screw	1
15 -Tab.3	<b>22100027</b>	Perno	Pin	1
16 -Tab.3	<b>5589 6</b>	Dado	Nut	1
17 -Tab.3	<b>251CE702</b>	Cam assemblata	Cam assembly	1
18 -Tab.3	<b>22100095</b>	Rondella ondulata	Washer	1
19 -Tab.3	<b>6592 12 24</b>	Rondella	Washer	1
20 -Tab.3	<b>6109 5 16</b>	Vite	Screw	1
21 -Tab.3	<b>6592 8 16</b>	Rondella	Washer	1
22 -Tab.3	<b>251CE256</b>	Piastrina	Plate	1
23 -Tab.3	<b>5739 5 10</b>	Vite	Screw	2
24 -Tab.3	<b>6592 6 12</b>	Rondella	Washer	3
25 -Tab.3	<b>5739 6 10/A2</b>	Vite	Screw	1
26 -Tab.3	<b>5589 5</b>	Dado	Nut	2
27 -Tab.3	<b>251CE255</b>	Perno	Pin	1
28 -Tab.3	<b>221CE273</b>	Molla	Spring	1
29 -Tab.3	<b>251CE254</b>	Piastrina	Plate	1
30 -Tab.3	<b>6107 5 10</b>	Vite	Screw	1
31 -Tab.3	<b>221CE255</b>	Perno	Pin	1
32 -Tab.3	<b>251CE220</b>	Perno	Pin	1
33 -Tab.3	<b>251A00701</b>	Spostamento assemblato	Support assembly	
34 -Tab.3	<b>251CE651</b>	Piastrina CE assemblata	Plate CE assembly	

**RF-M301 – Tab.4****Affettatrice a gravità  
Staight feed slicer****AFFILATOIO  
SHARPENER ASSEMBLY**

*Exploded schematics RF-M301*

<b>Ref.</b>	<b>Code No.</b>	<b>Descrizione</b>	<b>Description</b>	<b>N°</b>
1 -Tab.4	<b>351CE050</b>	Vite	Screw	1
2 -Tab.4	<b>221ACE010GF</b>	Capottina	Sharpener cover	1
3 -Tab.4	<b>6109 2 5</b>	Vite	Screw	2
4 -Tab.4	<b>221CE116</b>	Pulsantino	Push button	1
5 -Tab.4	<b>17001001</b>	Sfera 1/8	Ball 1/8	2
6 -Tab.4	<b>22100117</b>	Molla	Spring	2
7 -Tab.4	<b>221CE271IX</b>	Rondella	Washer	4
8 -Tab.4	<b>6107 3 6</b>	Vite	Screw	1
9 -Tab.4	<b>6592 3</b>	Rondella	Washer	1
10 -Tab.4	<b>22100108</b>	Sharpener frame	Corpo affilatoio	1
11 -Tab.4	<b>22100110</b>	Perno smeriglio	Wheel shaft	1
12 -Tab.4	<b>22100112</b>	Smeriglio	Grinding wheel	1
13 -Tab.4	<b>5589 6</b>	Dado	Nut	2
14 -Tab.4	<b>22100115</b>	Pulsantino	Push button	1
15 -Tab.4	<b>22100109</b>	Alberino	Wheel shaft	1
16 -Tab.4	<b>22100111</b>	Smeriglio	Grinding wheel	1
17 -Tab.4	<b>5588 8</b>	Dado	Nut	1
18 -Tab.4	<b>30100104</b>	Perno affilatoio	Shaft for sharpener	1
19 -Tab.4	<b>30100200</b>	Bandierina	Flag	1
20 -Tab.4	<b>221CE803</b>	Affilatoio completo	Sharpener assembly	

**RF-M301 – Tab.5****Affettatrice a gravità**  
**Straight feed slicer****COMPONENTI ELETTRICI**  
**ELECTRICAL COMPONENTS**

<b>Ref.</b>	<b>Code No.</b>	<b>Descrizione</b>	<b>Description</b>	<b>N°</b>
1 -Tab.5	<b>251CE903</b>	Scheda doppio interruttore	Switch assembly	1
2 -Tab.5	<b>3002003</b>	Condensatore 8 mF	Capacitor	1
3 -Tab.5	<b>301CE136</b>	Scatole elettrica	Protection box	1
4 -Tab.5	<b>6593 5 24</b>	Rondella	Washer	1
5 -Tab.5	<b>5739 5 12</b>	Vite	Screw	1
6 -Tab.5	<b>30100128</b>	Distanziale	Spacer	1
7 -Tab.5	<b>5739 6 12</b>	Vite	Screw	1
8 -Tab.5	<b>6592 6 12</b>	Rondella	Washer	1
9 -Tab.5	<b>6001001</b>	Passacavo	Locking plate	1
10 -Tab.5	<b>3004902</b>	Cavo+spina V.230	Cable+plug V.230	1
11 -Tab.5	<b>25100048</b>	Motore V.230	Motor V.230	1
12 -Tab.5	<b>30600060</b>	Spina motore	Motor pin	1
13 -Tab.5	<b>5588 6</b>	Dado	Nut	1
14 -Tab.5	<b>6592 6 18</b>	Rondella	Washer	2
15 -Tab.5	<b>22100055</b>	Piastrina	Plate	1
16 -Tab.5	<b>5448 6</b>	Dado	Nut	1
17 -Tab.5	<b>5931 8 14</b>	Vite	Screw	1
18 -Tab.5	<b>6592 8 24</b>	Rondella	Washer	1
19 -Tab.5	<b>5739 6 60</b>	Vite	Screw	1
20 -Tab.5	<b>6001003</b>	Collarino bianco	Locking plate	1
21 -Tab.5	<b>6954 5 13</b>	Vite	Screw	1
22 -Tab.5	<b>22100016</b>	Rondella	Washer	1